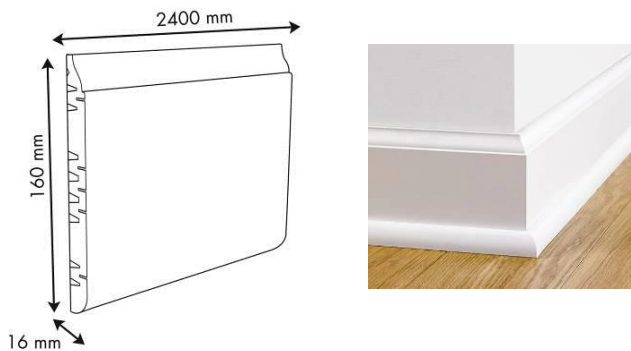
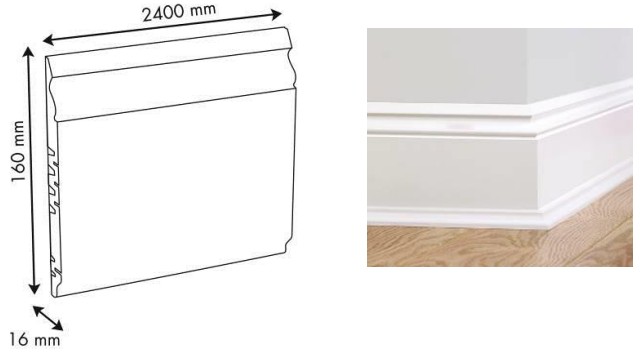




Paintable skirting-board Ovolo & Ogee with Incizo® technology



<u>Order code</u>	<u>Technical drawing</u>	<u>Pack quantities</u>
Ovolo: QSISKRWHITE		3 (slitter included)

<p>Ogee: QSISKROGEE</p>		<p>3 (slitter included)</p>
------------------------------------	--	-------------------------------------

Product description

Thanks to the patented Incizo technology, the Quick-Step® Paintable skirting board offers endless combinations.



Applications

Wood is the main component of your Quick-Step® floor. Room humidity can vary from season to season, so it is vital that the floor is able to expand and contract. The floor must be able to expand and contract on all sides. This is why an expansion joint of at least 8 to 12 mm must be provided around the floor. To finish off this joint, we offer a wide range of skirting and profiles. (More information can be found on www.quick-step.com.)

The Quick-Step® Skirting with Incizo® technology offers you the possibility to have a skirting painted in the same colour as your wall.
You can also choose not to paint the skirting and use it as a white skirting.

Specifications

√ Thanks to the Incizo® technology, this skirting offers endless possibilities:

- You can choose a classic or modern finish.
- The height of the skirting is variable
- You can combine the different parts of the skirting board to meet your own taste
- Or you can use the various parts separately to make two skirting boards out of one piece

√ Paintable as an option

You can also choose not to paint the skirting and use it as a white skirting.

√ Easy

Another added benefit of this skirting with Incizo® technology is that you always

have the right solution at hand.

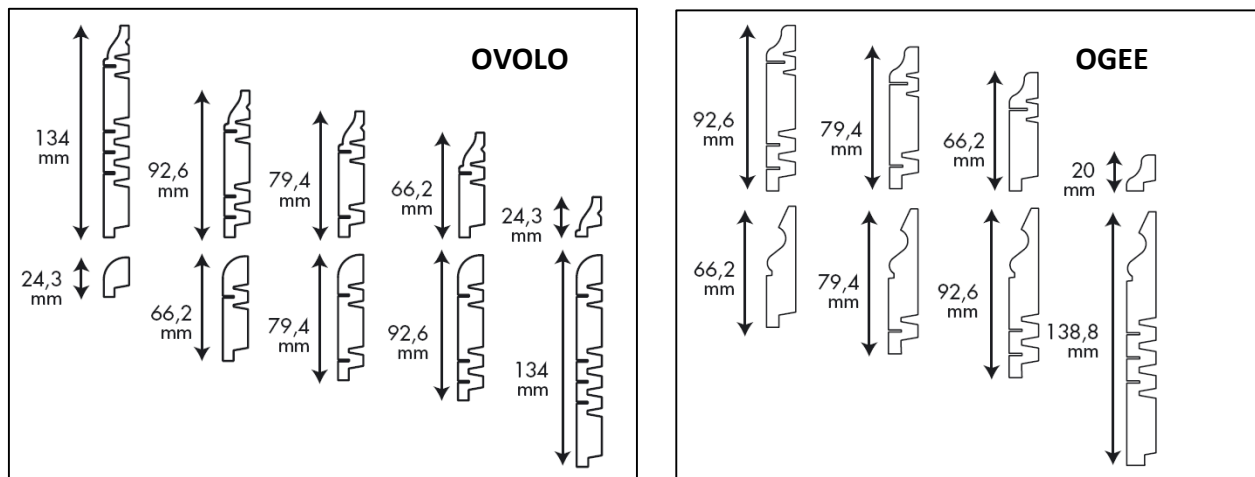
✓ Complete package

The slitter is supplied together with the paintable skirting

✓ Can be painted immediately

TIP: First always verify if the paint bonds well. If necessary, use a primer first or sand before painting.

Variable heights



Instructions for use

- ✓ Define which type of skirting or which combination you want to use
- ✓ Use the slitter supplied in the packaging to cut the foil at the front side of the skirting.
Therefore place the cutter in the groove and press firmly while sliding along the length of the skirting.
- ✓ Cut away where necessary, the foil at the back side of the skirting.
- ✓ You can now easily break off the part of the skirting you need
- ✓ Attach the skirting to the wall with the Quick-Step® ONE4ALL glue
- ✓ You can paint the skirting in the colour you want or you can use the white skirting
(In case you paint it, first always verify if the paint bonds well. If necessary, use a primer first or sand before painting)

